



SPECIFICATIONS

- Electrical rating :** 3A 250VAC & 3A 125VAC
- Contact resistance:** < 20mΩ(initial)
- Insulation resistance:** > 1000MΩ(500VDC between open contacts)
- Dielectric strength:** > 1500V 1 minute
- Mechanical life:** > 30000 cycles
- Electrical life:** > 10000 cycles
- Temperature rise at the terminal:** Max.30°C
- Solder ability of terminal:** Max350°C, 3S(no pressure may be placed in the terminals when soldering by hand)
- Any Cd Pb Hg etc and it's compounds is not include in this product
- Ambient temperature:** 10T85/55
- Ambient humidity:** Max.85%
- Degree of protection:** IP20
- Applicability for appliance of class:** class II
- Proof tracking resistance index(PTI):** 175
- Degree of pollution:** normal

MATERIALS

- Housing:** PA66
- Rocker:** PA66
- Contacts:** Silver alloy
- Terminal:** Brass silver plated
- Spring:** SWC
- Movable arm:** Brass silver plated

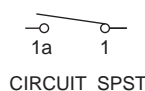
HOW TO ORDER

MODEL NO.	SWITCH FUNCTION	HOUSING COLOR	ACTUATOR COLOR	ACTUATOR MARKING	TERMINAL TYPE	LAMP VOLTAGE	SAFETY APPROVAL	BENDING DIRECTION																																						
MRA	<table border="1" style="font-size: small;"> <tr><td>1</td><td>ON-OFF</td></tr> <tr><td>2</td><td>ON-ON</td></tr> </table>	1	ON-OFF	2	ON-ON	<table border="1" style="font-size: small;"> <tr><td>K</td><td>Black</td></tr> <tr><td>W</td><td>White</td></tr> <tr><td>G</td><td>Gray</td></tr> <tr><td>R</td><td>Red</td></tr> </table>	K	Black	W	White	G	Gray	R	Red	<table border="1" style="font-size: small;"> <tr><td>K</td><td>Black</td></tr> <tr><td>W</td><td>White</td></tr> <tr><td>G</td><td>Gray</td></tr> <tr><td>R</td><td>Red</td></tr> <tr><td>B</td><td>Blue</td></tr> <tr><td>M</td><td>Green</td></tr> </table>	K	Black	W	White	G	Gray	R	Red	B	Blue	M	Green	See option of page 231	<table border="1" style="font-size: small;"> <tr><td>T</td><td>Connect tab 3.7(Wide)x0.4(Thick)</td></tr> <tr><td>R</td><td>Bending</td></tr> </table>	T	Connect tab 3.7(Wide)x0.4(Thick)	R	Bending	<table border="1" style="font-size: small;"> <tr><td>0</td><td>No Lamp</td></tr> </table>	0	No Lamp	<table border="1" style="font-size: small;"> <tr><td>B</td><td>UL \ CUL \ CQC</td></tr> <tr><td>E</td><td>None Approvals</td></tr> </table>	B	UL \ CUL \ CQC	E	None Approvals	<table border="1" style="font-size: small;"> <tr><td>R</td><td>Right</td></tr> <tr><td>L</td><td>Left</td></tr> </table>	R	Right	L	Left
1	ON-OFF																																													
2	ON-ON																																													
K	Black																																													
W	White																																													
G	Gray																																													
R	Red																																													
K	Black																																													
W	White																																													
G	Gray																																													
R	Red																																													
B	Blue																																													
M	Green																																													
T	Connect tab 3.7(Wide)x0.4(Thick)																																													
R	Bending																																													
0	No Lamp																																													
B	UL \ CUL \ CQC																																													
E	None Approvals																																													
R	Right																																													
L	Left																																													

MODEL NO.	SWITCH FUNCTION	HOUSING COLOR	ACTUATOR COLOR	ACTUATOR MARKING	TERMINAL TYPE	LAMP VOLTAGE	SAFETY APPROVAL	BENDING DIRECTION	FRAME HOUSING	TERMINAL WIDTH																																			
MRA	<table border="1" style="font-size: small;"> <tr><td>1</td><td>ON-OFF</td></tr> <tr><td>2</td><td>ON-ON</td></tr> </table>	1	ON-OFF	2	ON-ON	<table border="1" style="font-size: small;"> <tr><td>K</td><td>Black</td></tr> <tr><td>W</td><td>White</td></tr> <tr><td>G</td><td>Gray</td></tr> <tr><td>R</td><td>Red</td></tr> </table>	K	Black	W	White	G	Gray	R	Red	<table border="1" style="font-size: small;"> <tr><td>K</td><td>Black</td></tr> <tr><td>W</td><td>White</td></tr> <tr><td>G</td><td>Gray</td></tr> <tr><td>R</td><td>Red</td></tr> <tr><td>B</td><td>Blue</td></tr> <tr><td>M</td><td>Green</td></tr> </table>	K	Black	W	White	G	Gray	R	Red	B	Blue	M	Green	See option of page 231	<table border="1" style="font-size: small;"> <tr><td>R</td><td>Bending</td></tr> </table>	R	Bending	<table border="1" style="font-size: small;"> <tr><td>0</td><td>No Lamp</td></tr> </table>	0	No Lamp	<table border="1" style="font-size: small;"> <tr><td>B=UL \ CUL \ VDE \ CQC</td></tr> </table>	B=UL \ CUL \ VDE \ CQC	<table border="1" style="font-size: small;"> <tr><td>R</td><td>Right</td></tr> <tr><td>L</td><td>Left</td></tr> <tr><td>C</td><td>Side</td></tr> </table>	R	Right	L	Left	C	Side	A=No	BR=2.5mm
1	ON-OFF																																												
2	ON-ON																																												
K	Black																																												
W	White																																												
G	Gray																																												
R	Red																																												
K	Black																																												
W	White																																												
G	Gray																																												
R	Red																																												
B	Blue																																												
M	Green																																												
R	Bending																																												
0	No Lamp																																												
B=UL \ CUL \ VDE \ CQC																																													
R	Right																																												
L	Left																																												
C	Side																																												

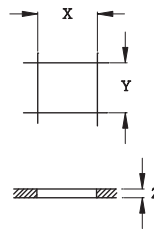
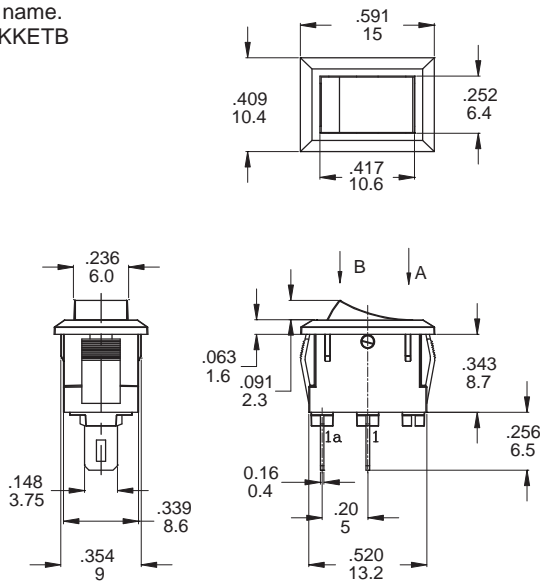
▼ OPTIONS OF SWITCH FUNCTION

Item NO	POLES & THROWS	Rocker position		
		Left	Center	Right
MRA1	SPST		None	OFF
MRA2	SPDT	ON	None	ON



POLE FUNCTION	OPTIONS OF FUNCTION		
	A	—	B
SPST	1-1a	—	OFF

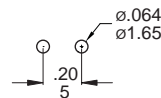
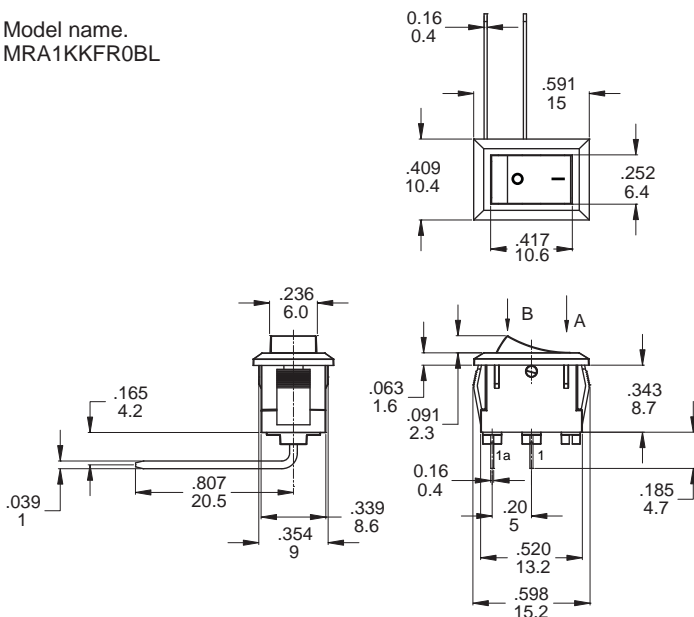
Model name.
MRA1KKETB



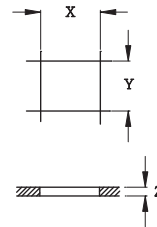
PANEL OUT-CUT		
Z	Y	X
0.7~1.25 [.028~.049]	9.1~9.2 [.358~.362]	13.6~13.8 [.535~.543]
1.25~2.0 [.049~.079]	9.1~9.2 [.358~.362]	13.8~14.0 [.543~.551]
2.0~3.0 [.079~.118]	9.1~9.2 [.358~.362]	14.0~14.1 [.551~.555]

* We keep the right to alter the dimension without notice.

Model name.
MRA1KKFR0BL



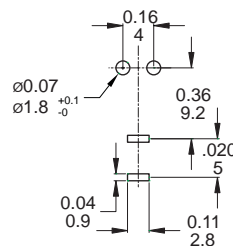
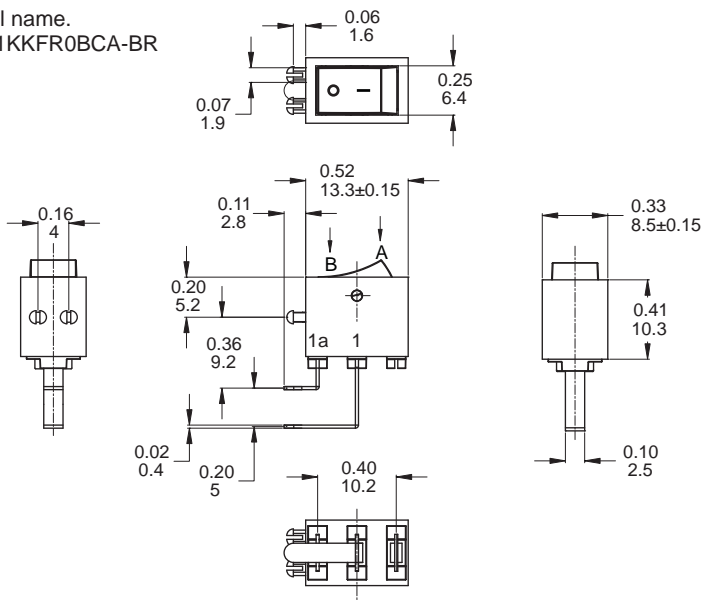
PC MOUNTING



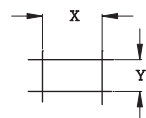
PANEL OUT-CUT		
Z	Y	X
0.7~1.25 [.028~.049]	9.1~9.2 [.358~.362]	13.6~13.8 [.535~.543]
1.25~2.0 [.049~.079]	9.1~9.2 [.358~.362]	13.8~14.0 [.543~.551]
2.0~3.0 [.079~.118]	9.1~9.2 [.358~.362]	14.0~14.1 [.551~.555]

* We keep the right to alter the dimension without notice.

Model name.
MRA1KKFR0BCA-BR



P.C MOUNTING



PANEL OUT-CUT	
Y	X
8.7~8.9 [.338~.354]	13.5~13.7 [.528~.543]

* We keep the right to alter the dimension without notice.