



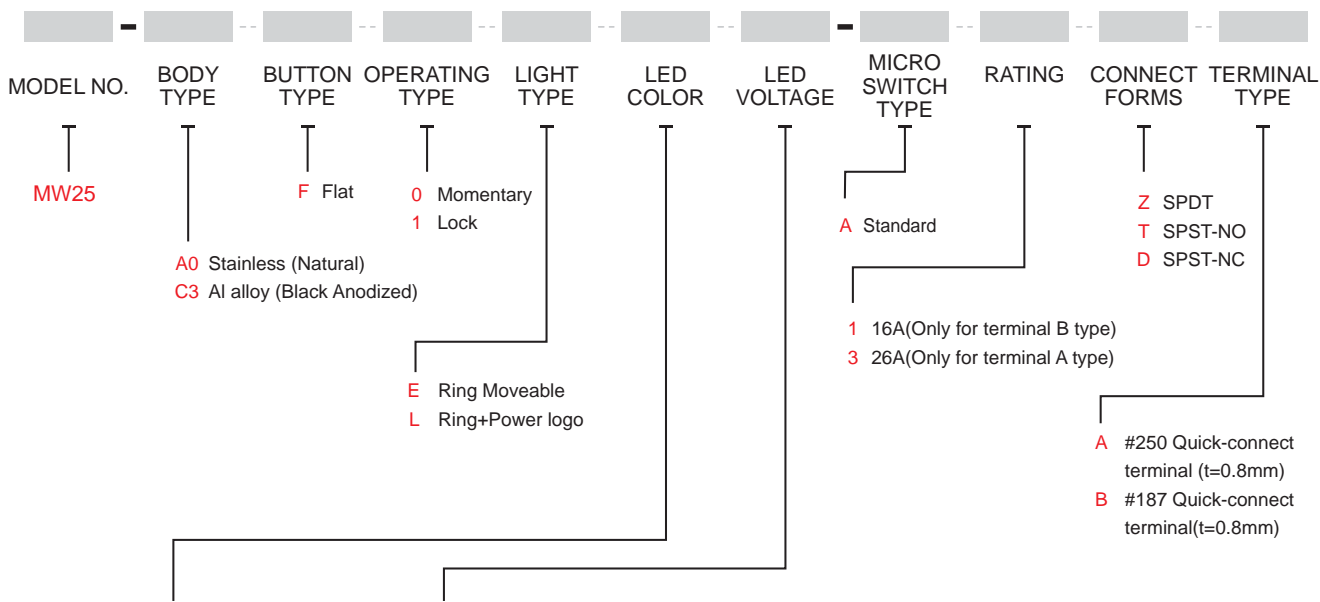
**SPECIFICATIONS**

**RATING** : 16A, 26A 250/125VAC.  
**CONTACT RESISTANCE** : 50 mΩ max. @ 1A 12VDC (initial value)  
**INSULATION RESISTANCE** : 100 MΩ min. at 500VDC  
**DIELECTRIC STRENGTH** : 1,500V RMS @ sea level (initial value)  
**OPERATION TEMPERATURE** : -25°C to 85°C  
**MECHANICAL LIFE** : Momentary 1,000,000 cycles  
 Latching 500,000 cycles  
**ELECTRICAL LIFE** : 16A /125&250VAC 50,000 cycles  
 26A /125&250VAC 10,000 cycles  
**OPERATION PRESSURE** : 3.5±1.5N  
**TRAVEL** : About 3.2mm  
**INGRESS PROTECTION** : IP67(In house test), IK08(Stainless)  
**TORQUE** : 1~3Nm.

**MATERIALS**

**BUSHING** : Stainless Steel / Aluminum alloy  
**BASE** : PBT(UL 94-V0) , PC(UL 94-V2)  
**ACTUATOR** : PC ; Stainless Steel / Aluminum alloy  
**INNER ASSEMBLY** : POM / PA66.  
**SPRING** : Steel.  
**SEALING** : Silicone.  
**O-Ring** : Silicone.  
**TERMINAL**: Brass, Silver plated.  
**HEX NUT** : Nickel plated brass.

**HOW TO ORDER**



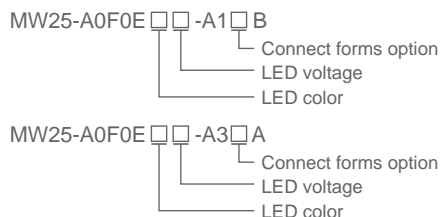
ITEM NO	COLOR
Single Color LED	
0	Without LED
1	White
3	Red
5	Yellow
6	Green
7	Blue
Dual Color LED	
A	Red+Green
B	Red+Blue

LED Voltage (20mA)

ITEM NO	VOLTAGE
0	Without Resistor
3	3V
6	6V
12	12V
24	24V
36	36V
110	110V
220	220V

\* Except standard color, for other colors information please consult sales representativity.

EXAMPLE:





# MW25 Series

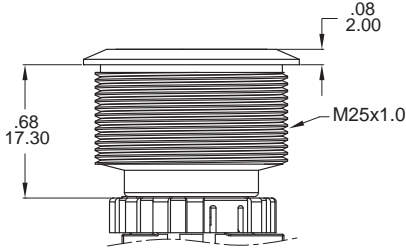
25mm High Current Metal Pushbutton Switches



MW25 Pushbutton Switches

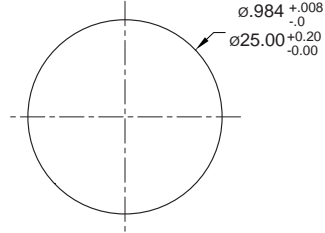
## ▼ BODY OPTIONS

**A0 / C3**



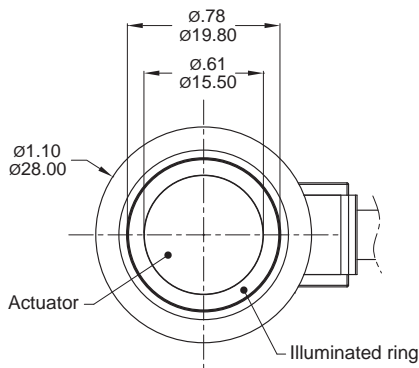
## PANEL MOUNTING

Max. Panel thickness: .394inch(10.0mm)

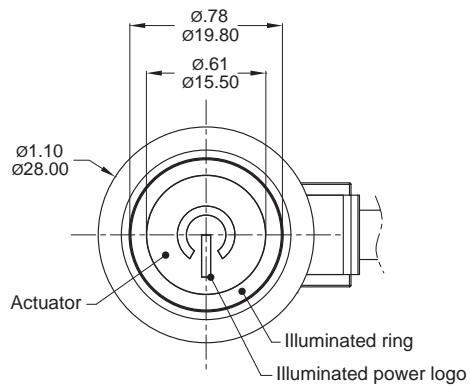


## ▼ LIGHT OPTIONS

**E Ring Moveable**



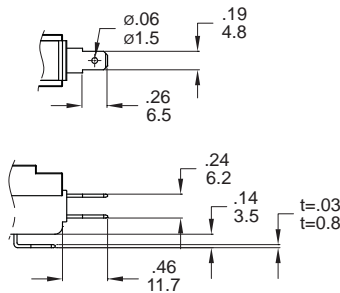
**L Ring+Power logo**



## ▼ TERMINAL OPTIONS

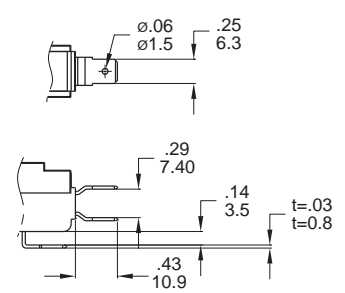
**#187 Only 16A**

Quick-connect terminal (t=0.3inch(0.8mm))



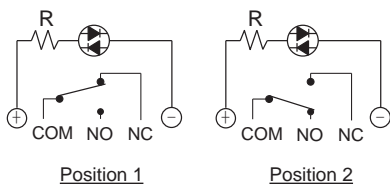
**#250 Only 26A**

Quick-connect terminal (t=0.3inch(0.8mm))

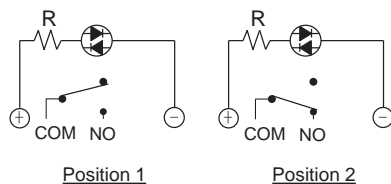


## ▼ CIRCUIT

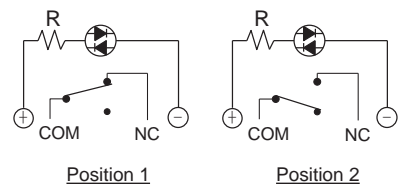
SPDT



SPST-NO



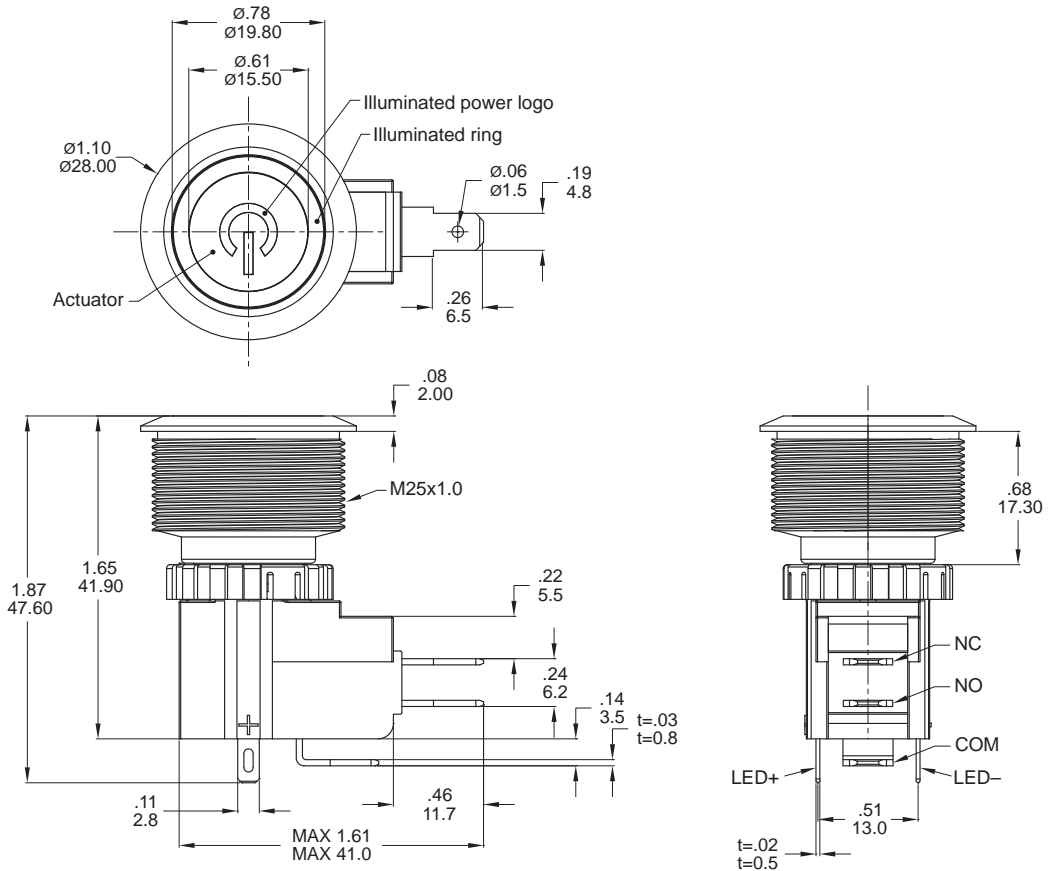
SPST-NC





▼ DIMENSION

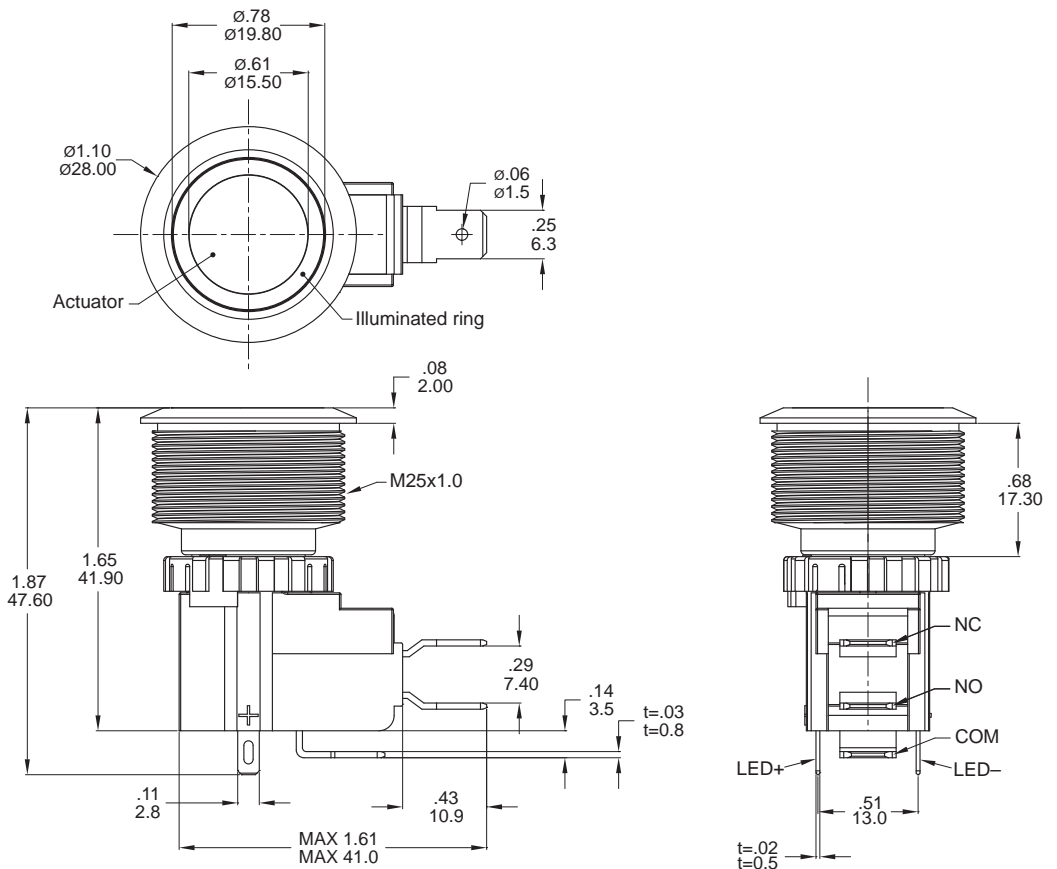
16A



SPDT

Model name. MW25-A0F0L112-A1ZB

26A



SPDT

Model name. MW25-A0F0E712-A3ZA