



## SPECIFICATIONS

**RATING** : 2A/36VDC

**ELECTRICAL LIFE**: 200,000 make-and-break cycles at full load.

**MECHANICAL LIFE**: 1,000,000 cycles.

**DIELECTRIC STRENGTH**: 2,000V RMS@sea level

**CONTACT RESISTANCE**: 50mΩ MAX.@1A 12VDC(initial value)

**OPERATING TEMPERATURE**: -20°C to 70°C

**TRAVEL**: ABOUT 1.8mm

**OPERATION PRESSURE**: 4.5±1.5N

**INGRESS PROTECTION**: IP67(In house test), IK10(Stainless)

**TORQUE**: 1~3Nm

## MATERIALS

**BUSHING** : Stainless Steel

**BASE** : PA66, White UL-94V0

**ACTUATOR** : PC, Translucent UL-94V2, Stainless Steel

**INNER ASSEMBLY** : PC, Translucent UL-94V2

**SPRING** : Spring steel

**SEALING** : Silicone, Translucent

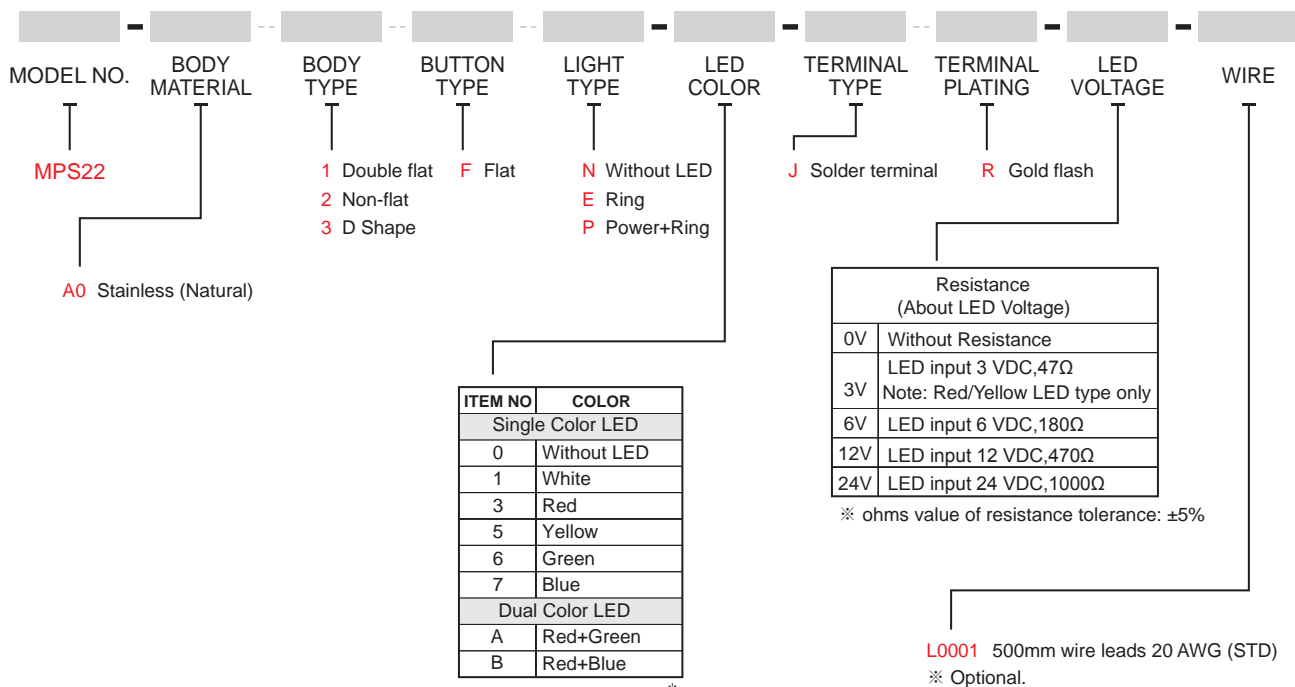
**O-Ring** : Silicone

**TERMINAL** : Brass, Gold flash plated

**CONTACT** : Brass, Silver alloy

**HEX NUT** : Brass, Nickel plate

## HOW TO ORDER



※ Current limiting resistor is required to limit LED forward current to 20mA.

\* Except standard color, for other colors information please consult sales representativity.

EXAMPLE:

MPS22-A01FE-□-JR-□V

□ LED voltage  
□ LED color

MPS22-A01FE-□-JR-□V-L0001(Wire)

□ LED voltage  
□ LED color



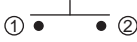
# MPS22 Series

22mm Short Metal Pushbutton Switches

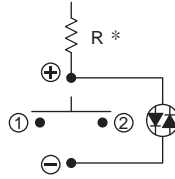


MPS22  
Pushbutton Switches

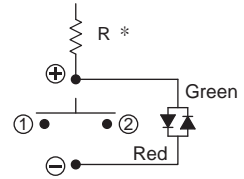
## ▼ CIRCUIT



Without LED



Single Color LED

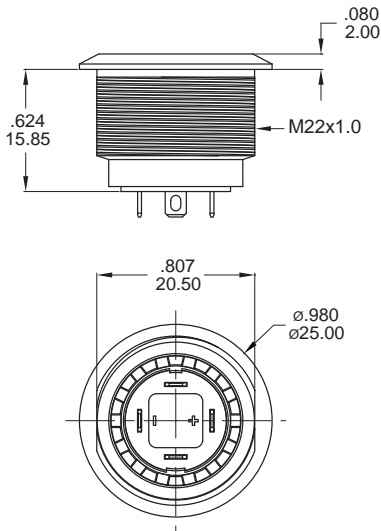


Dual Color LED

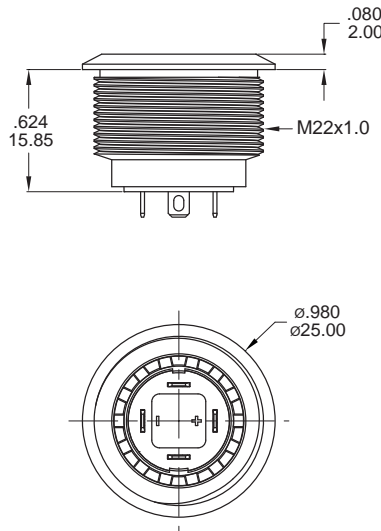
\* Note: Adjust the resistance according to the input voltage.

## ▼ BODY OPTIONS

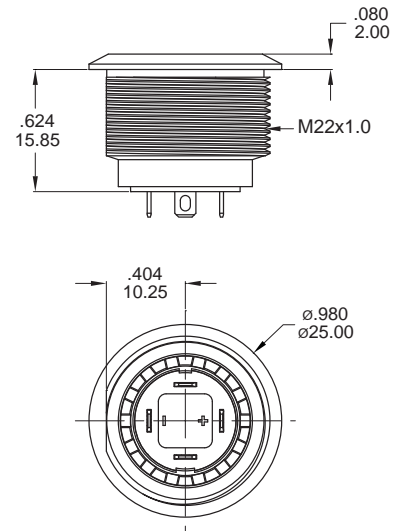
### 1 Double flat



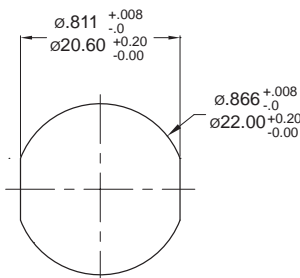
### 2 Non-flat



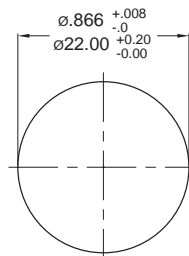
### 3 D Shape



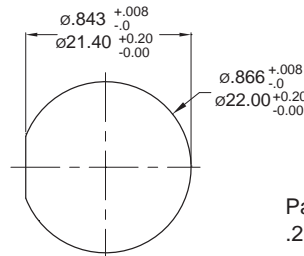
## ▼ PANEL MOUNTING



Double flat



Non-flat

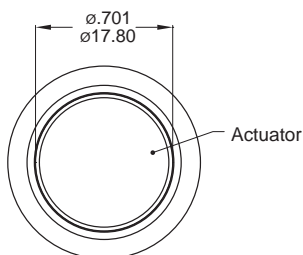


D Shape

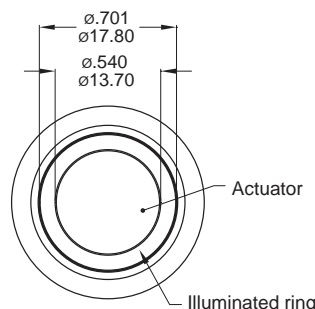
Panel thickness:  
.236inch(6.0 mm) MAX.

## ▼ LIGHT OPTIONS

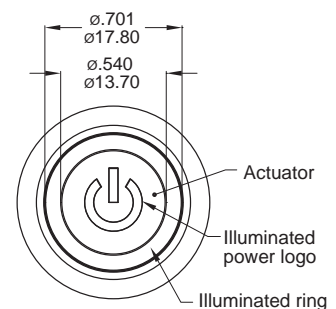
### N Without LED



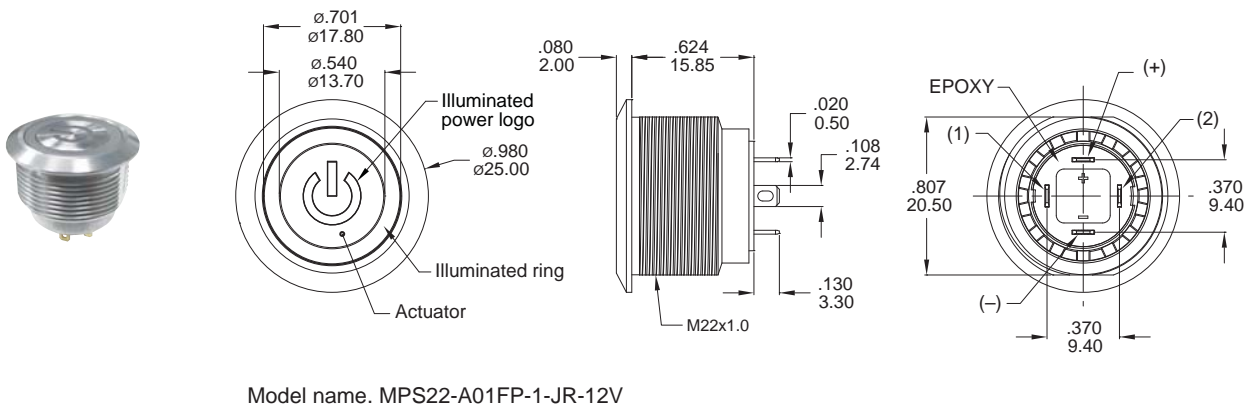
### E Ring



### P Power+Ring

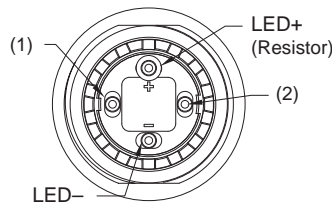
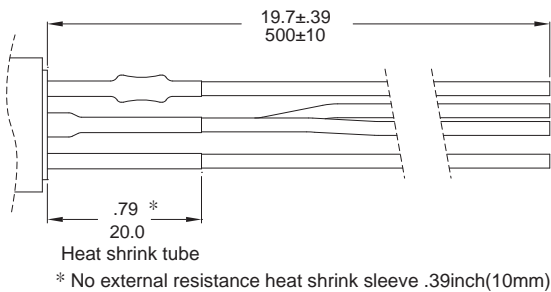


▼ DIMENSION



▼ WIRE

**L0001** 500mm wire leads 20 AWG



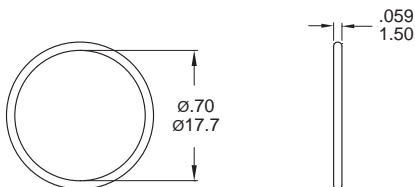
Wires:  
Black wire - Terminal  
Red wire - LED (+) Positive  
Green wire - LED (-) Negative  
\* No Illumination: Black Wire - Terminal  
\* Please consult sales for additional wire options.

▼ HARDWARE

\* Standard hardware : 1 nut, 1 O-ring  
\* For further information please consult sales representativity.

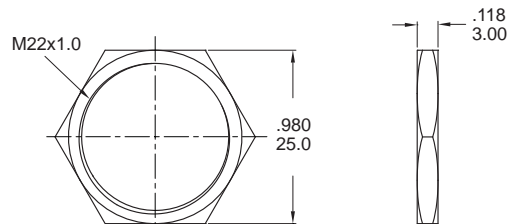
**O-RING (Std.)**

Model name. FCP-MPB07



**NUT (Std.)**

Model name. MNU-MPB02



▼ O-RING INSTALLATION

