

SPECIFICATIONS

MECHANICAL LIFE: 40,000 make-and-break cycles.

CONTACT RATING: 0.4 VA max. @ 20V AC or DC max.

CONTACT RESISTANCE: Below 100 mΩ typ. (initial value)
@ 2-4V DC, 100 mA.

INSULATION RESISTANCE: 500 MΩ min./500VDC

DIELECTRIC STRENGTH: 500 Vrms min. @ sea level. (initial value)

OPERATING TEMPERATURE: -30°C to 85°C

MATERIALS

HOUSING AND BASE: Glass filled nylon 6/6 or 4/6, flame retardant
, heat stabilized (UL94V-0)

ACTUATOR: Glass filled nylon 6/6, flame retardant, heat stabilized
(UL94V-0), internal o-ring sealed.

SWITCH SUPPORT: Steel with Sn plated.

CONTACT: Phosphor bronze with gold plated over nickel plated.

TERMINALS: Brass with gold plated over nickel plated.

HOW TO ORDER

MODEL NO.	ACTUATOR	HOUSING	TERMINAL TYPE	TERMINAL PLATING	SEAL	RoHS SOLDERING
SP 2US1 ON-NONE-ON 2US3 ON-OFF-ON 2US9 OFF-NONE-ON	T1 3.80x1.70(STD) T29 3.80x2.00, Gray *	A1 1.60 high (STD) A2 1.60 high, Black *	M2 PC thru-hole M6 Right angle, PC thru-hole M7 Vertical right angle, PC thru-hole MT1 SMT(STD) **	R Gold	E EPOXY (std) N NO EPOXY	S RoHS & Lead Free
DP 2UD1 ON-NONE-ON 2UD3 ON-OFF-ON 2UD9 OFF-NONE-ON						

* T29 actuator can only used with A2 housing, this option is not available with 2US9

** The terminal type of MT1 are not suitable for 2US9.

EXAMPLE: 2US1T1A1M2RES



2U Series

Sealed Ultraminiature Toggle Switches

IP 67
ACCORDING TO
EN 60528:1991+A1:2001
IEC 60529:2001



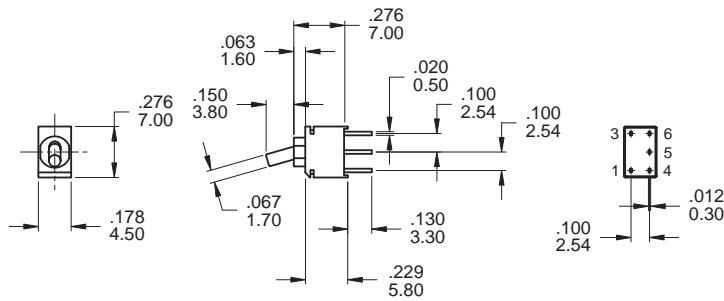
2U
Toggle Switches

▼ SWITCH FUNCTION

NO. POLES	MODEL NO.	SWITCH FUNCTION			CONNECTED TERMINALS / SCHEMATIC		
		POS.1	POS.2	POS.3	POS.1	POS.2	POS.3
SP	2US1	ON	NONE	ON	5-6	N/A	5-4
	2US3	ON	OFF	ON		OPEN	
	2US9*	OFF	NONE	ON	OPEN	N/A	4-6
DP	2UD1	ON	NONE	ON	2-3,5-6	N/A	2-1,5-4
	2UD3	ON	OFF	ON		OPEN	
	2UD9**	OFF	NONE	ON	OPEN	N/A	

* Omit terminal 5
** Omit terminal 2 & 5

▼ POLE OPTIONS

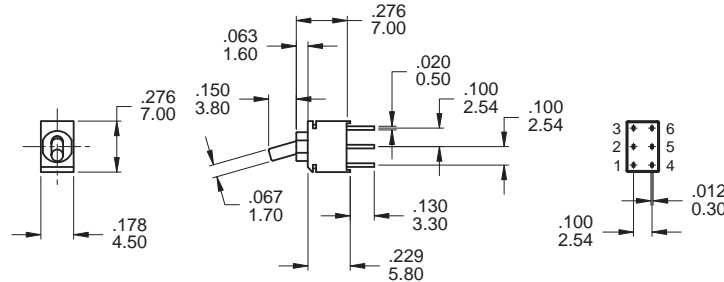
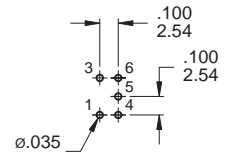


Note: Pins 1 and 3 not connected

SPDT

Model name. 2US1T1A1M2RES

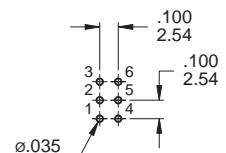
PCB MOUNTING



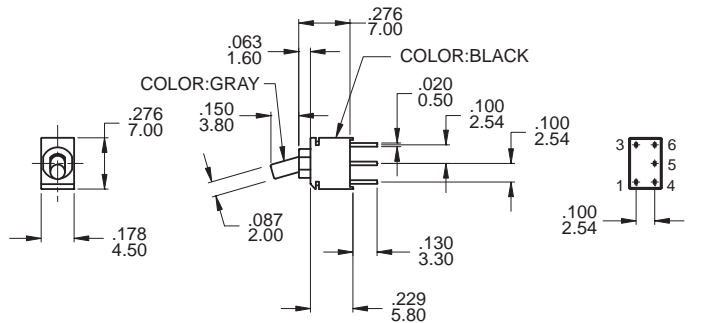
DPDT

Model name. 2UD1T1A1M2RES

PCB MOUNTING



T29



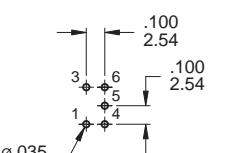
Note: Not available for 2US9.

Note: Pins 1 and 3 not connected

SPDT

Model name. 2US1T29A2M2RES

PCB MOUNTING

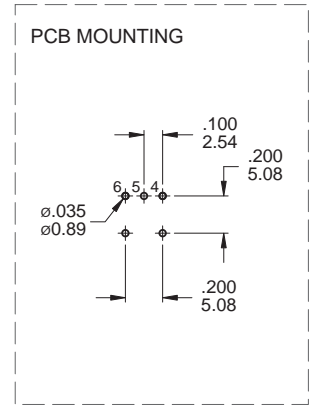
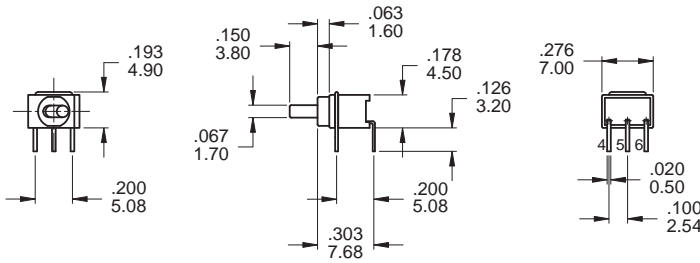




▼ TERMINAL OPTIONS

2U
Toggle Switches

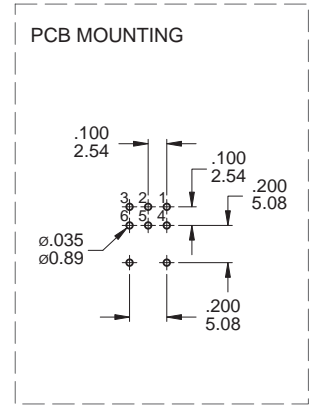
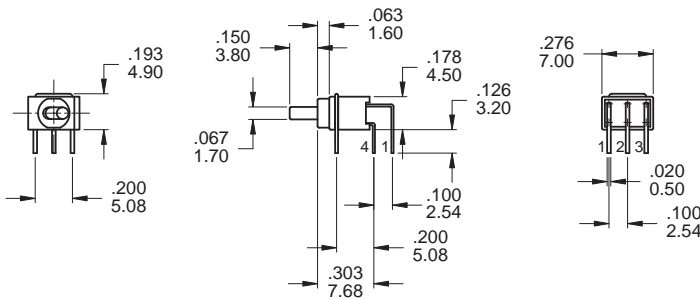
M6



SPDT

Model name. 2US1T1A1M6RES

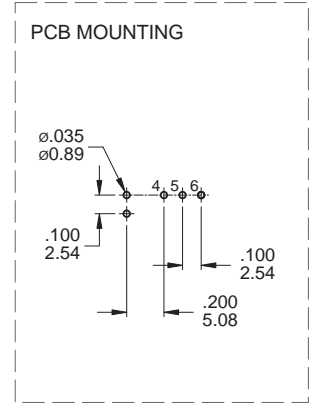
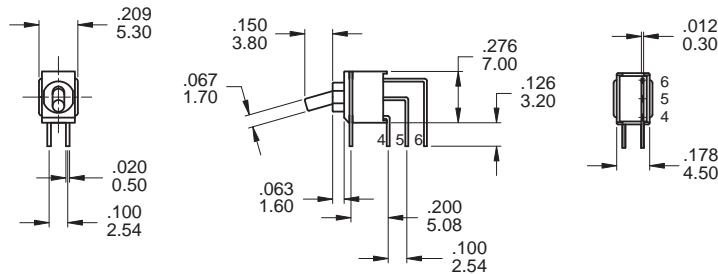
M6



DPDT

Model name. 2UD1T1A1M6RES

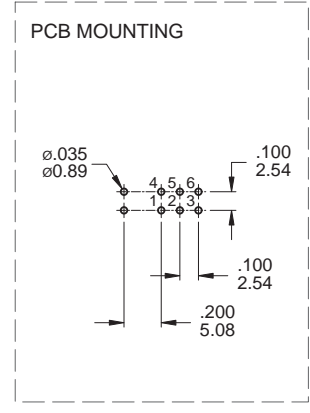
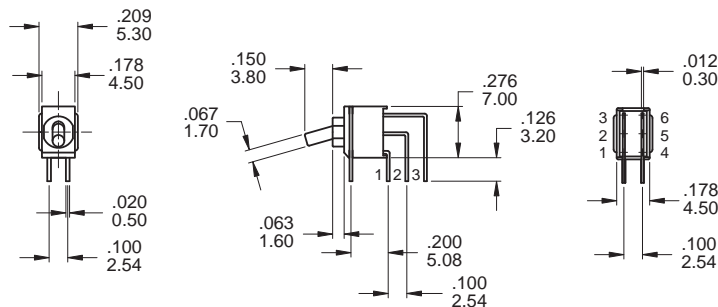
M7



SPDT

Model name. 2US1T1A1M7RES

M7



DPDT

Model name. 2UD1T1A1M7RES



2U Series

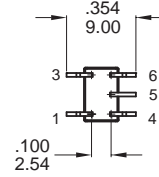
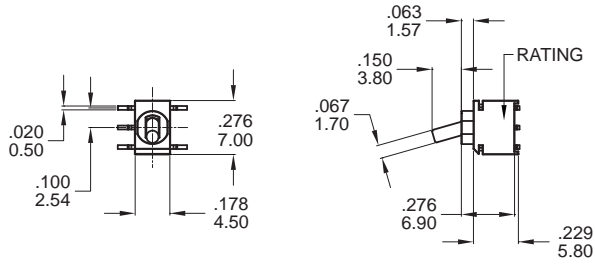
Sealed Ultraminiature Toggle Switches

IP 67
ACCORDING TO
EN 60528:1991+A1:2001
IEC 60529:2001



2U
Toggle Switches

MT1

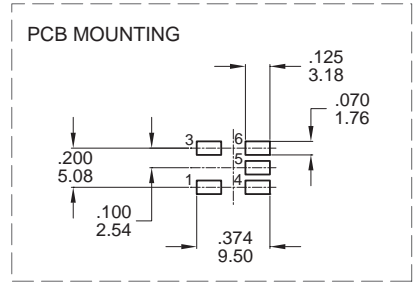


Note: Pins 1 and 3 not connected

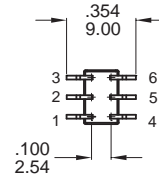
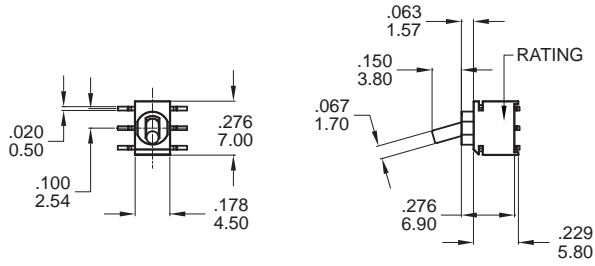
Note: Not available for 2US9.

SPDT

Model name. 2US1T1A1MT1RES



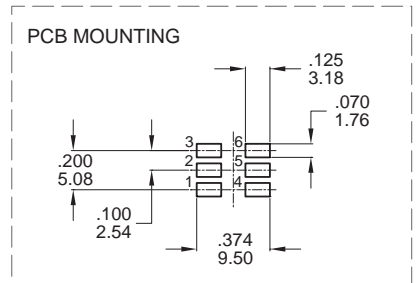
MT1



Note: Not available for 2UD9.

DPDT

Model name. 2UD1T1A1MT1RES



▼ SOLDERING PROCESS

WAVE SOLDERING: Recommend soldering temperature: 260 ± 5°C

Duration of solder immersion: Max. 5 sec. (PCB thickness is 1.6mm)