



SPECIFICATIONS

CONTACT: Mechanical contact

CIRCUIT: SPST

RATING: DC 12V 50mA

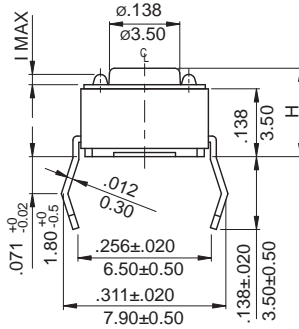
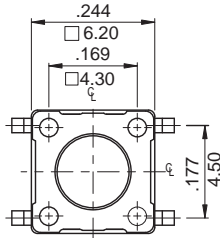
TRAVEL: 0.3±0.15mm

OPERATING FORCE: 160±50gf / 260±50gf

CONTACT RESISTANCE: 100mΩ max.

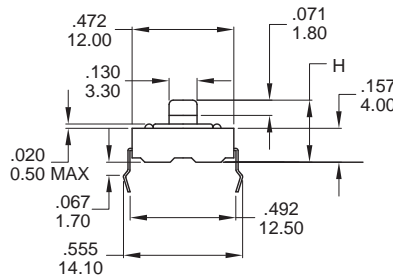
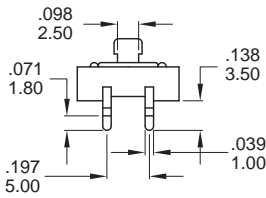
LIFE: 100,000 cycles min.

▼ MODEL OPTIONS



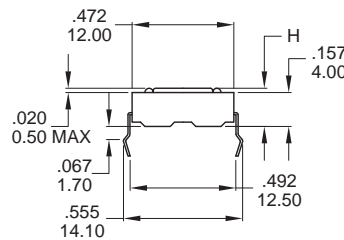
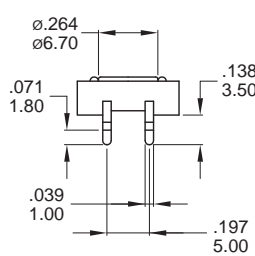
DTS-66	13.0 [.512]	0.6 MAX [.0236 MAX]
DTS-65	9.5 [.374]	
DTS-63	7.0 [.275]	
DTS-62	5.0 [.197]	
DTS-61	4.3 [.169]	0.5 MAX [.0197 MAX]
PROD. NO.	H	I

Model name. DTS-62N



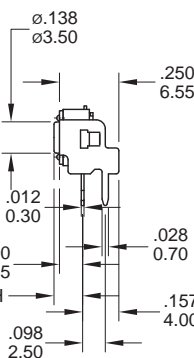
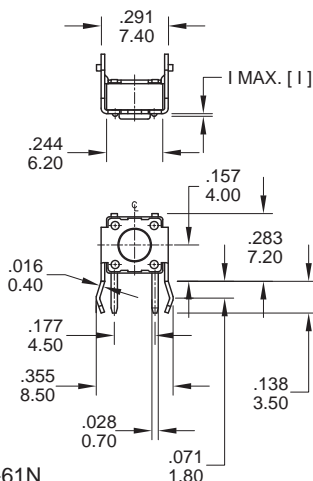
DTS-25	8.50 [.335]
DTS-24	7.30 [.287]
DTS-21	4.30 [.169]
PROD. NO.	H

Model name. DTS-24N



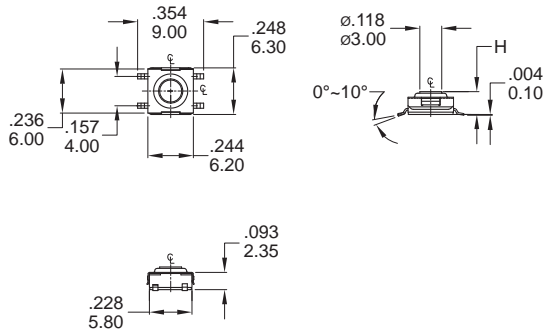
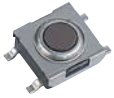
DTS-25	8.50 [.335]
DTS-24	7.30 [.287]
DTS-21	4.30 [.169]
PROD. NO.	H

Model name. DTS-21N



DTSA-66	11.85 [.467]	0.4MAX [.016MAX]
DTSA-65	8.35 [.329]	
DTSA-63	5.85 [.230]	
DTSA-62	3.85 [.152]	
DTSA-61	3.15 [.124]	0.3MAX [.012MAX]
PROD. NO.	H	I

Model name. DTSA-61N



Model name. DTSMW-66

MATERIALS

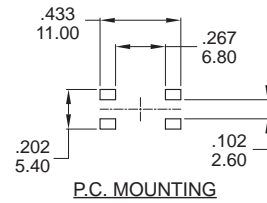
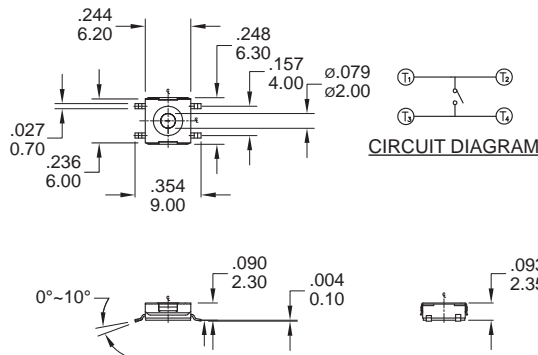
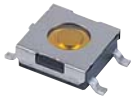
CONTACT: Stainless steel.

CIRCUIT DISC: Phosphor bronze with silver cladding.

TERMINAL: Brass with silver cladding.

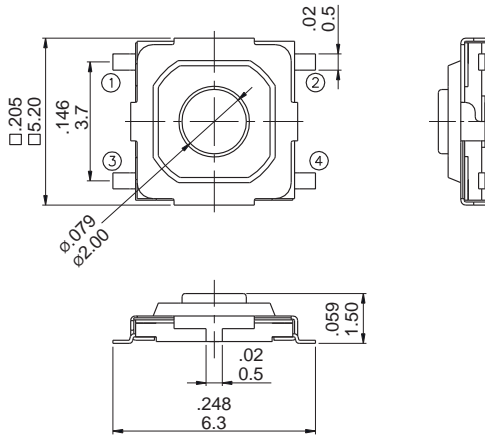
BASE: High-Temp Thermoplastic nylon UL 94V-0.

DTSMW-69	3.80 [150]
DTSMW-68	2.30 [091]
DTSMW-67	5.20 [205]
DTSMW-66	3.10 [120]
DTSMW-65	3.50 [138]
DTSMW-64	4.50 [177]
PROD. NO.	H

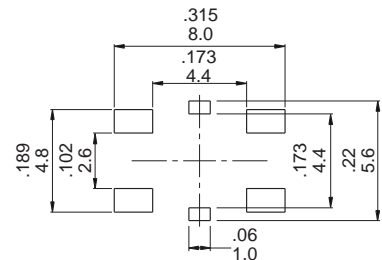
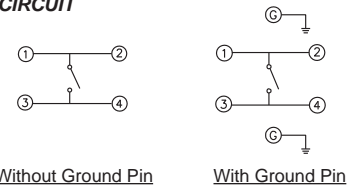


	OPERATING FORCE	STEM COLOR
N	160gf	Brown
S	160gf	Silver
R	260gf	Red

Model name. DTSMW-68

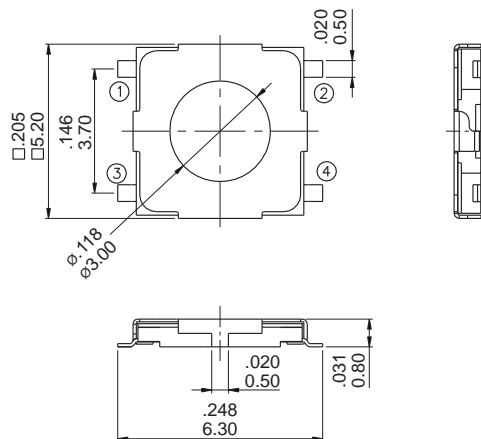


CIRCUIT

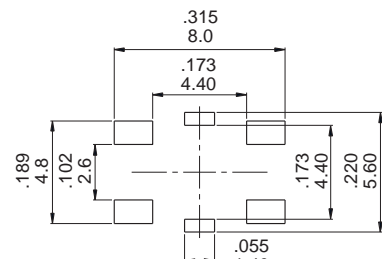
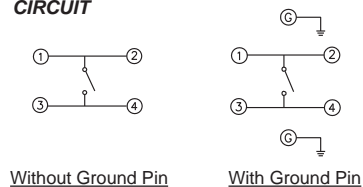


P.C.B. LAYOUT

Model name. TME-533-Q



CIRCUIT



P.C.B. LAYOUT

Model name. TME-523-Q