



SPECIFICATIONS

- RATING** : 100mA max, 42V AC/DC
- MECHANICAL LIFE** : 1,000,000 cycles
- CONTACT RESISTANCE** : 100mΩ max. (initial value)
- INSULATION RESISTANCE** : 1000MΩ min./500VDC
- DIELECTRIC STRENGTH** : 1,000 VAC (initial value)
- FORCE** : 3N±0.75N
- TRAVEL** : 0.6±0.2mm
- OPERATING TEMPERATURE RANGE** : -25°C~+70°C

MATERIALS

- SWITCH HOUSING** : PBT
- TRANSPARENT ACTUATOR** : PC
- ACTUATOR** : ABS
- CONTACT** : Stainless
- TERMINALS** : Brass, Au or Ag plated
- TERMINAL SEAL** : Epoxy

HOW TO ORDER

MODEL NO.	SIZE TYPE	CAP TYPE	CAP COLOR	LED QTY	LED COLOR (1st set)	LED COLOR (2nd set)	TERMINAL TYPE	LED BRIGHTNESS
KS	5 15x15mm 9 19x19mm			0 No LED 1 One LED 2 Two LEDs			Q Silver R Gold	
	A0 Transparent actuator D0 Transparent actuator (short) * B Actuator C Overall height actuator							A Super Brightness (std) B Pure Green

ITEM NO	COLOR
1	White (Std)
3	Red (Std)
4	Orange
5	Yellow
6	Green
7	Blue

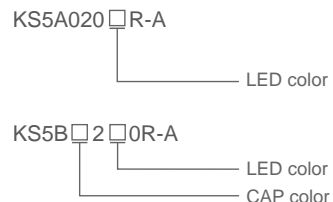
**
Note: Only available for cap type B and C.

ITEM NO	COLOR
Single Color LED	
0	Without LED
1	White
3	Red
5	Yellow
6	Green
7	Blue
Dual Color LED	
A	Red+Pure green
B	Yellow+Pure green

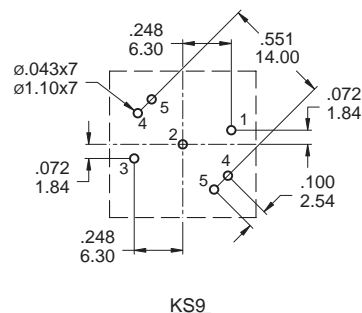
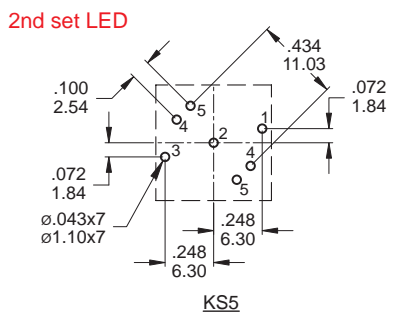
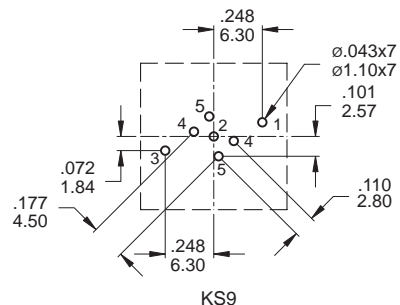
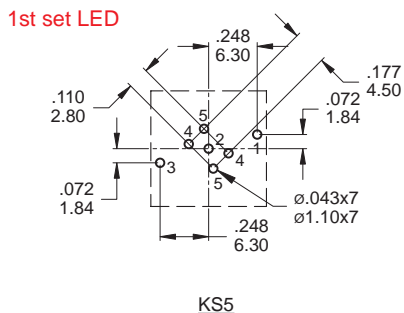
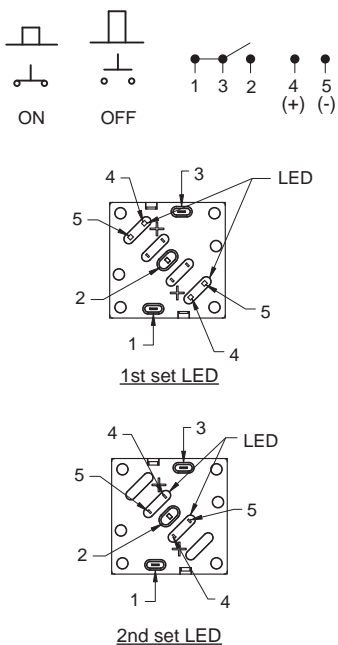
**
Note:
1st set LED: Only available for cap type B and C.
2nd set LED: Only available for cap type A and D.

* Standard for size type 5 (15x15mm).
** Except standard color, for other colors information please consult sales representativity.

EXAMPLE:

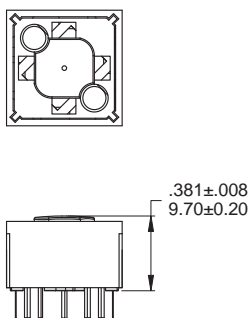


▼ **CIRCUIT & PCB MOUNTING**

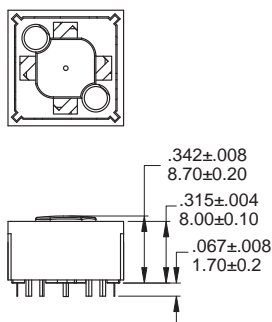


▼ **CAP OPTIONS**

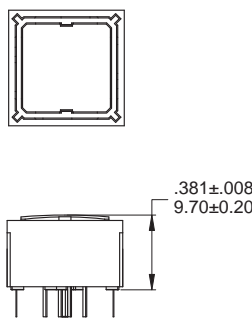
A0



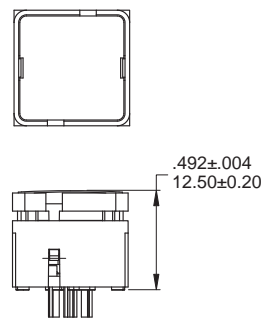
D0 Short



B

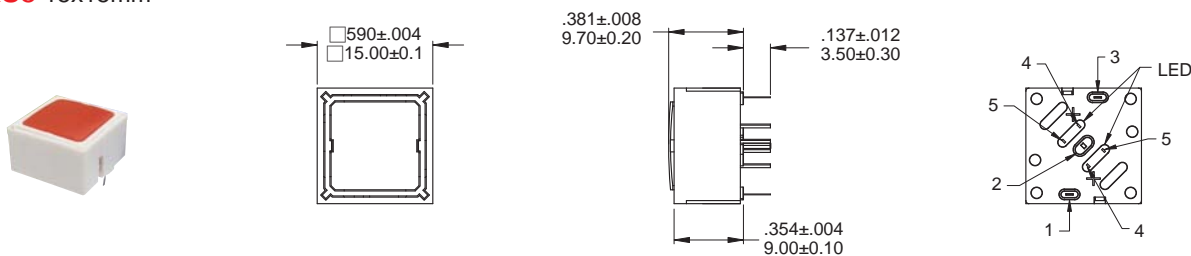


C Overall height



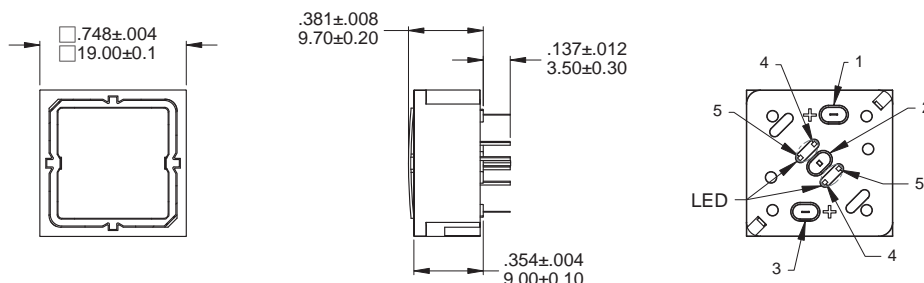
▼ **DIMENSION**

KS5 15x15mm



Model name. KS5B3230R-A

KS9 19x19mm



Model name. KS5B6260R-B