



**SPECIFICATIONS**

**CONTACT RESISTANCE:** 10 mΩ MAX.

**ACTUATION FORCE:** Push force: 2000±500g

Pull force: 2100±600g

Total travel: 2mm±0.2

**OPERATING LIFE:**

Electronics Life: 4A, 24VDC, 10 000 cycles

Mechanical Life: 6-8 operation cycles per minute, 100,000 cycles

**OPERATING TEMPERATURE:** -40±3°C (96hours) to +85±3°C (96hours)

**DIELECTRIC STRENGTH:**

1,000V RMS 50HZ MIN. Between terminals (initial value)

2,000V RMS 50HZ MIN. Between terminals and metal panel (initial value)

**INGRESS PROTECTION:** IP65 (In house test)

**HOW TO ORDER**

MODEL NO.

FUNCTION

CAP

PTW

003 ON-ON

B Anodized, RED  
\* Optional.

EXAMPLE:

PTW-003 (STD)

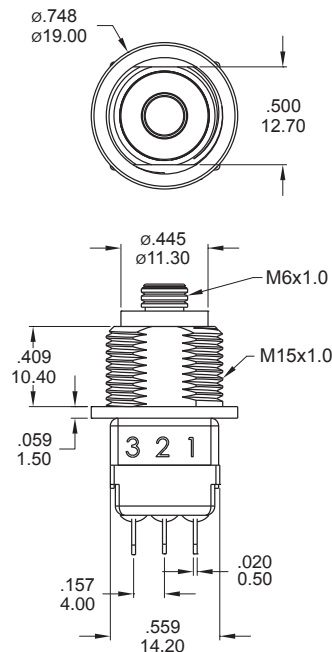
PTW-003-□

CAP options

**CIRCUIT**

NO. POLES	Pull	ON	1-3 4-6
	Push	ON	1-2 4-5

**▼ DIMENSION**



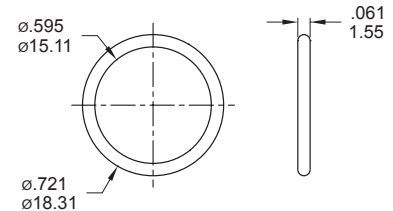
Model name. PTW-003

**▼ HARDWARE**

\* Standard hardware : 1 nut, 1 O-ring.

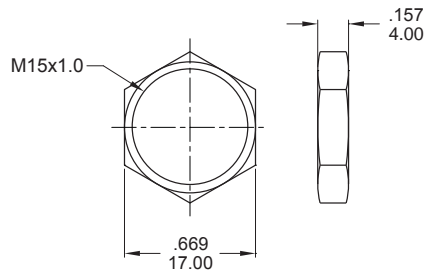
**O-RING (Std.)**

Model name. FCP-PP01



**NUT (Std.)**

Model name. MNU-PP01

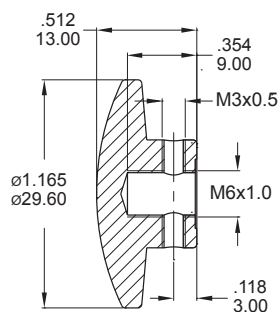


**▼ CAP**



Model name. MCP-PP04-3

Material: Aluminum  
Surface treatment: Anodized, Red



Section drawing for A-A.

