



# RJ Series

DC Power Jack With Rocker Switches



RJ  
DC Power Jack Switches

## SPECIFICATIONS

**ELECTRICAL RATING :** DC 15V 5A

DC 15V 2.5A (for 1.65mm pin)

**CONTACT RESISTANCE :** 20 mΩ (initial value)

**INSULATION RESISTANCE :** > 1000 MΩ

(500VDC between open contacts)

**DIELECTRIC STRENGTH :** > 1500V@ 1 minute (initial value)

**ELECTRICAL LIFE :** 6,000 cycles

**TEMPERATURE RISE AT THE TERMINAL :** Max.30°C

**SOLDER ABILITY OF TERMINAL :** Max 350°C, 3S

(Do not apply pressure on the terminals during hand soldering.)

**Any Cd Pb Hg etc and it's compounds is not include in this product**

## MATERIALS

**CASE&HOUSING:** Glass filled Nylon 6/6, black.

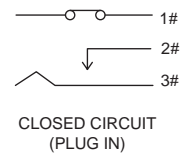
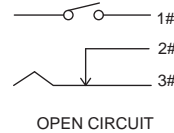
**ACTUATOR :** Glass filled Nylon 6/6, Black.

**CONTACT :** Copper alloy, silver plated.

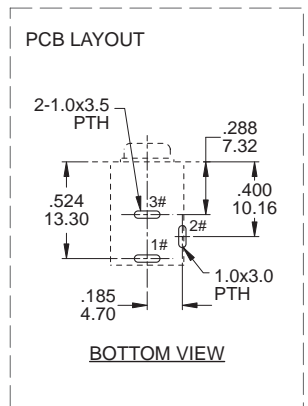
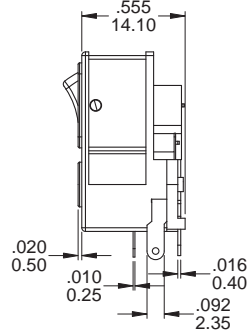
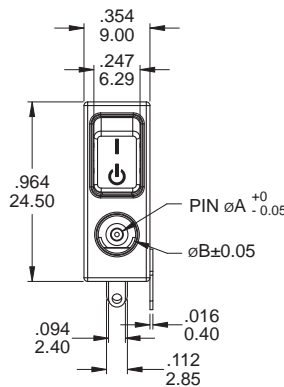
**TERMINAL :** Copper alloy, silver plated.

**PIN :** Brass, nickel plated.

## SCHEMATIC

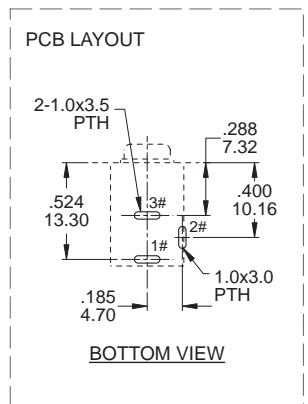
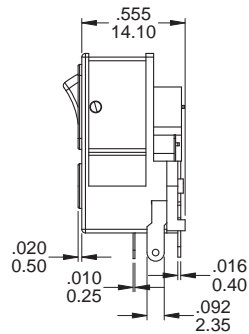
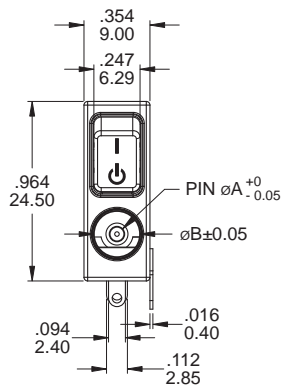


## ▼ DIMENSION



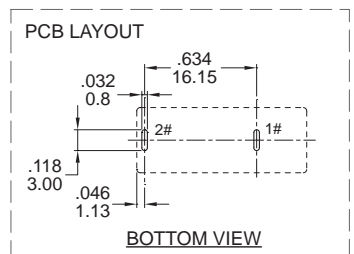
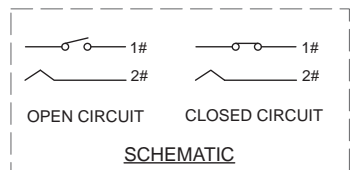
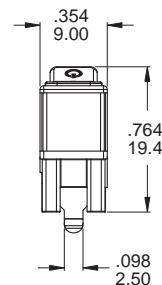
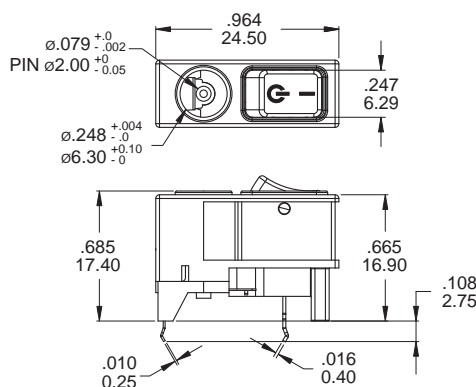
Units: mm

Dimensions	PIN Ø A	Ø B	Actuator marking
MODEL			
RJ-001	Ø1.65	Ø5.10	
RJ-008	Ø1.65	Ø5.10	



Units: mm

Dimensions	PIN Ø A	Ø B	Actuator marking
MODEL			
RJ-002	Ø2.00	Ø6.30	
RJ-003	Ø2.50	Ø6.30	
RJ-004	Ø2.50	Ø6.30	
RJ-005	Ø2.10	Ø6.30	
RJ-007	Ø2.00	Ø6.30	



Model name. RJ-009