



SJ Series

DC Power Jack With Slide Switches



SJ
DC Power Jack Switches

SPECIFICATIONS

RATING : DC 15V 2A ; DC 16V 3A

CONTACT RESISTANCE : 30 mΩ MAX.

INSULATION RESISTANCE : 100 MΩ min./500V

MECHANICAL LIFE : 30,000 cycles.

MATERIALS

CASE&HOUSING: Glass filled Nylon 6/6, black.

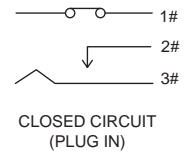
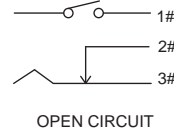
ACTUATOR : Glass filled Nylon 6/6, gray.

CONTACT : Copper alloy, silver plated.

TERMINAL : Copper alloy, silver plated.

PIN : Brass, nickel plated.

SCHEMATIC

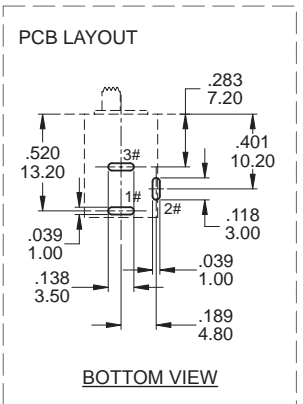
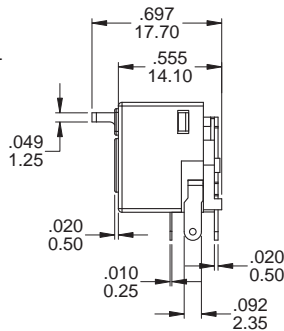
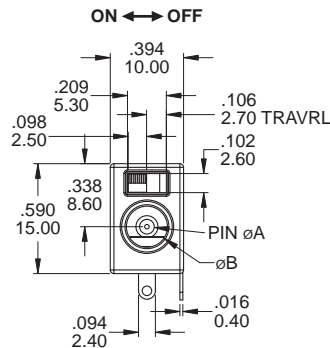


▼ DIMENSION

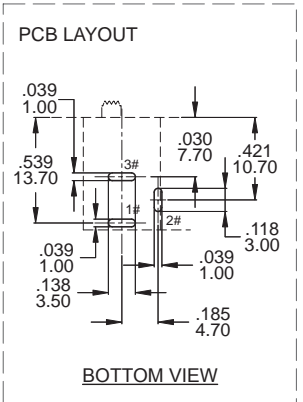
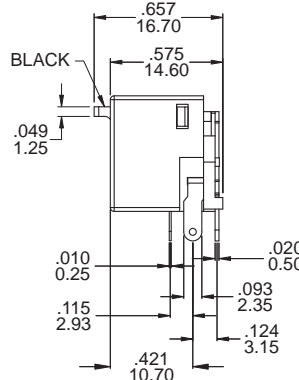
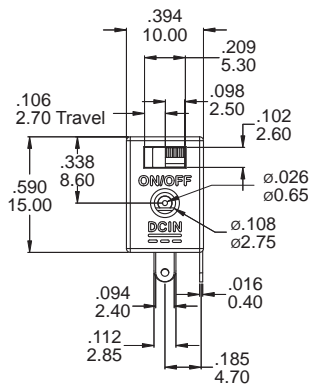


Units: mm

Dimensions	PIN Ø A	Ø B
MODEL		
SJ-003	ø2.00	ø5.60
SJ-006	ø2.50	ø5.60



Model name. SJ-007



Units: mm

Dimensions	PIN Ø A	Ø B
MODEL		
SJ-004	ø2.00	ø6.30
SJ-005	ø2.50	ø6.50

